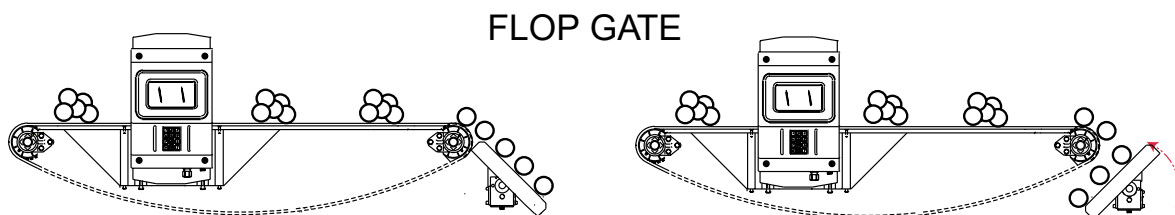
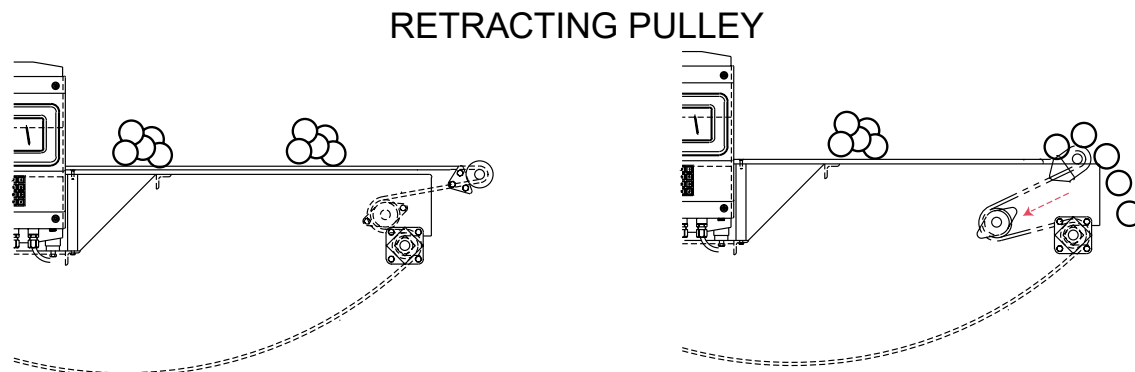
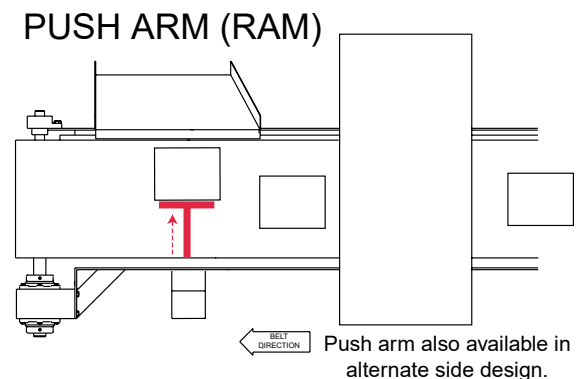
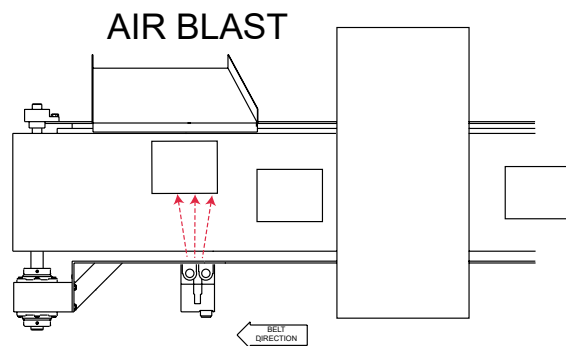
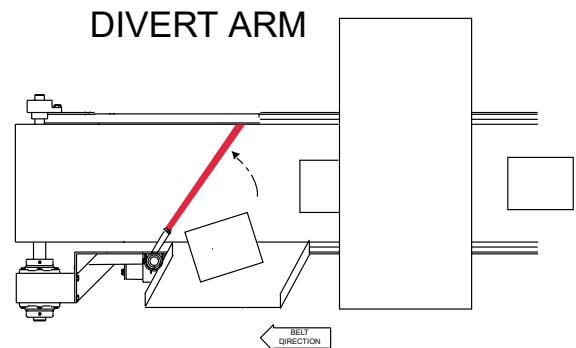
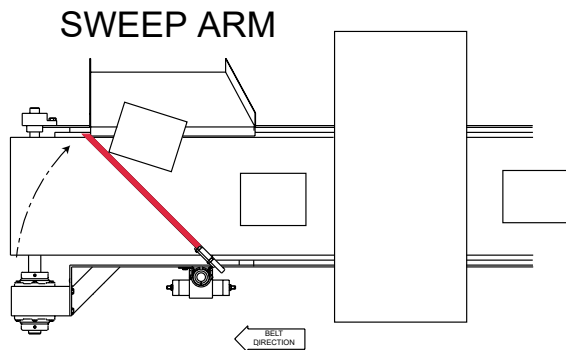


# REJECT DEVICES FOR PROSCAN CONVEYOR SYSTEM

**Free Product Testing with Guaranteed Detection Levels**  
**Contact us today to get the right reject device for your metal detector!**



- ★ Advanced Detection Systems' engineers are experts in metal detection. We manufacture superior reject devices to meet your specific requirements. Any reject device can be customized to your specific needs.
- ★ Reject devices are used to allow the customer to remove contaminated product and still maintain normal product flow without halting production.
- ★ Having a reject device is important. The reject device will protect your customers, provide a stellar reputation of your product (brand name) and protect your profits.

★ **Technical Support Provided From Our Factory for the Life of the Equipment**